

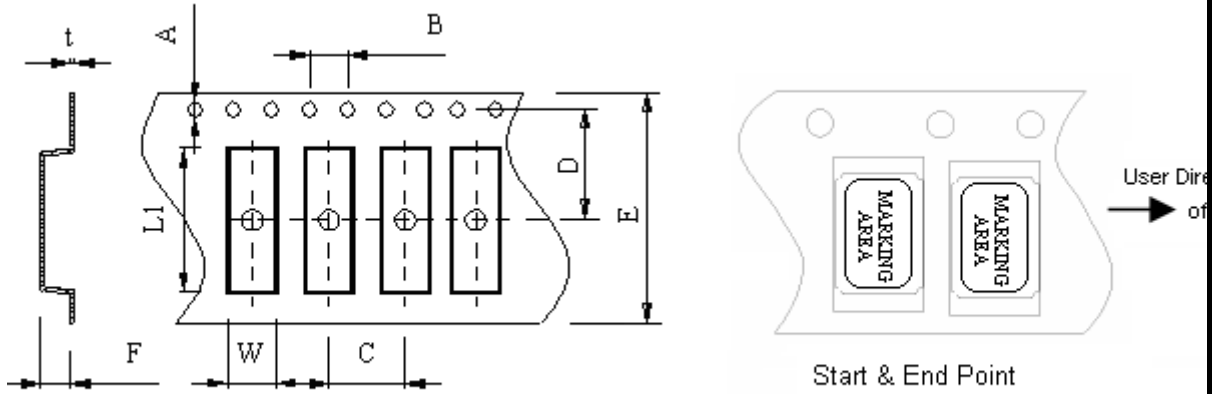
HOSONIC ELECTRONIC CO., LTD.

CRYSTAL UNIT SPECIFICATIONS



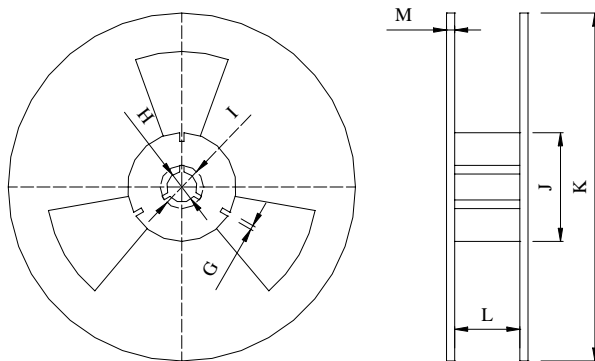
● **PACKAGE**

Tape Dimensions(unit : mm)



A	B	C	D	E	F	L1	W	t
1.50	4.0	4.0	3.5	8.0	0.6	1.8	1.4	0.2

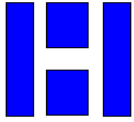
Reel Dimensions(unit: mm)



G	H	I	J	K	L	M
2.5	13.5	21.6	60.0	180	9.5	1.6

*3000pcs/Reel

*Specifications are subject to change without notice.

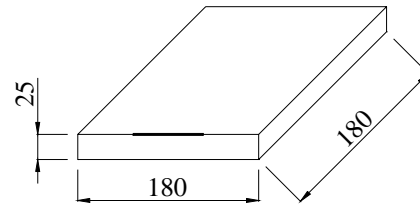
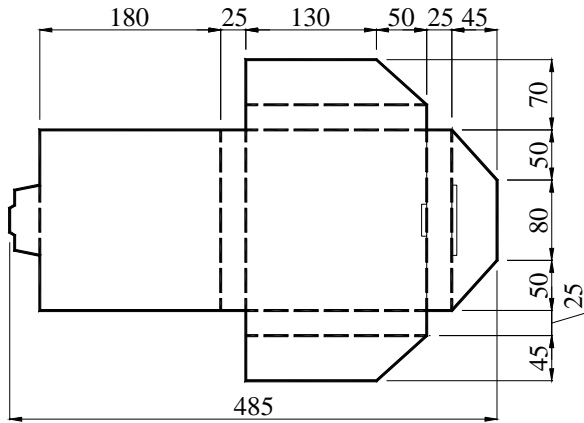


HOSONIC ELECTRONIC CO., LTD.

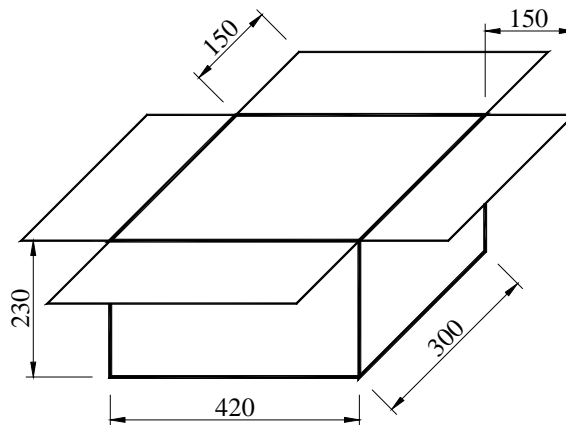
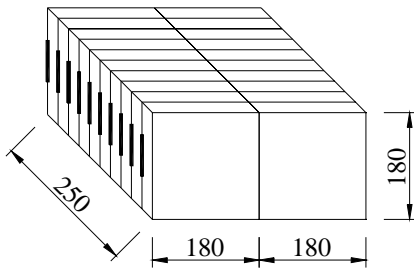
CRYSTAL UNIT SPECIFICATIONS



Carton Dimension (unit : mm)



1 reel = 1 Inner box



20 Inner boxes = 1 Carton

60kpcs = 1 Carton

*Specifications are subject to change without notice.