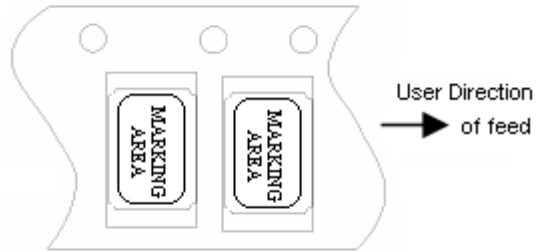
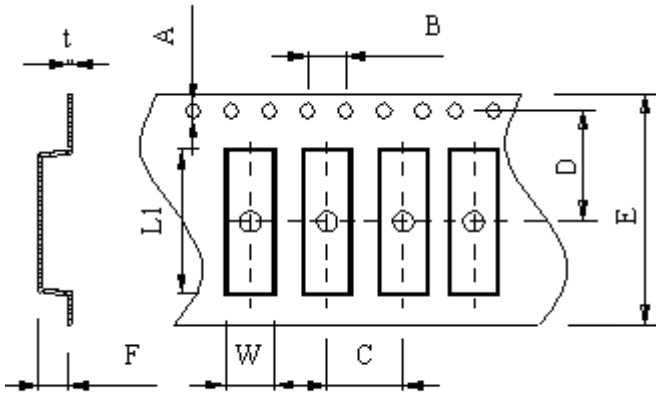


HOSONIC ELECTRONIC CO., LTD.
CRYSTAL UNIT SPECIFICATIONS



● PACKAGE

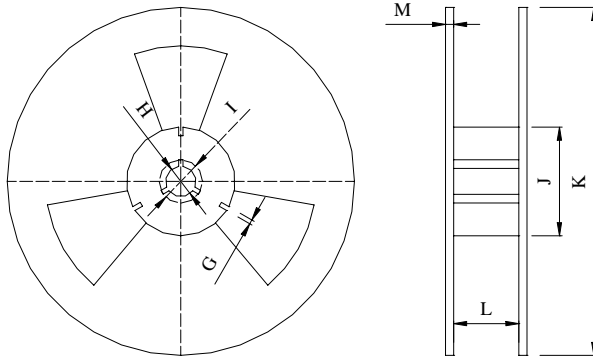
Tape Dimensions(unit : mm)



Start & End Point

| A | B | C | D | E | F | L1 | W | t |
|------|-----|-----|-----|------|-----|-----|-----|-----|
| 1.50 | 4.0 | 8.0 | 5.5 | 12.0 | 1.5 | 6.4 | 4.0 | 0.3 |

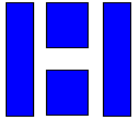
Reel Dimensions(unit: mm)



| G | H | I | J | K | L | M |
|-----|------|------|------|-----|------|-----|
| 2.5 | 13.5 | 21.6 | 60.0 | 178 | 17.5 | 1.6 |

*1000pcs/Reel

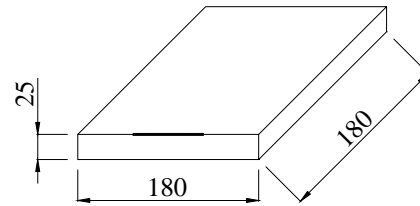
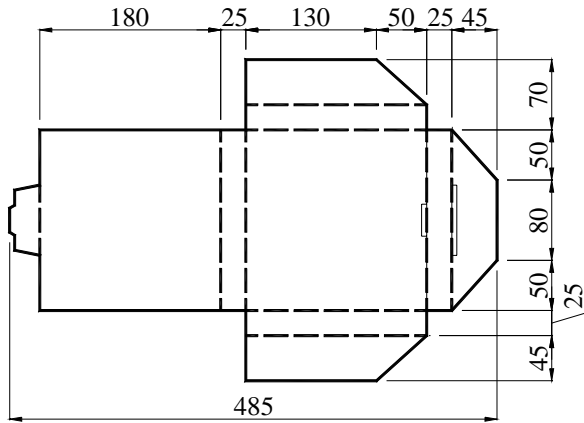
*Specifications are subject to change without notice.



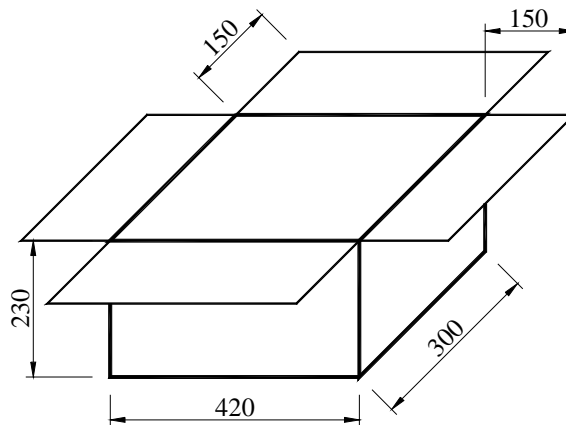
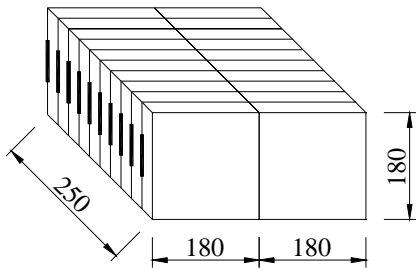
HOSONIC ELECTRONIC CO., LTD.
CRYSTAL UNIT SPECIFICATIONS



Carton Dimension (unit : mm)



1 reel = 1 Inner box



20 Inner boxes = 1 Carton

20kpcs = 1 Carton

*Specifications are subject to change without notice.