

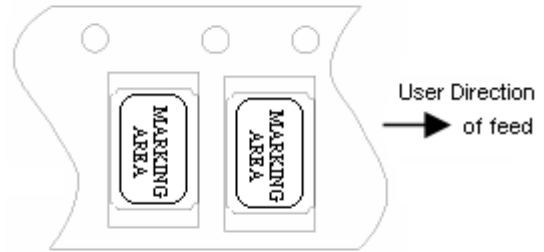
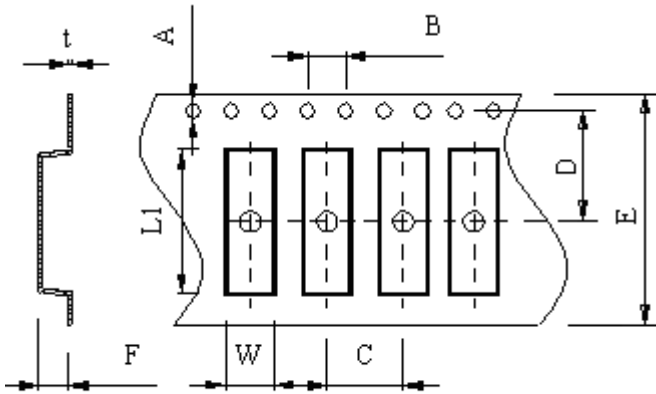
# HOSONIC ELECTRONIC CO., LTD.

## CRYSTAL UNIT SPECIFICATIONS



### ● PACKAGE

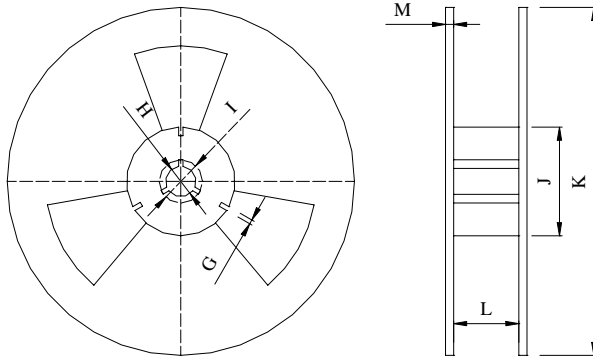
Tape Dimensions(unit : mm)



Start & End Point

A	B	C	D	E	F	L1	W	t
1.50	4.0	8.0	5.5	12.0	1.5	5.4	3.6	0.3

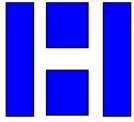
Reel Dimensions(unit: mm)



G	H	I	J	K	L	M
2.5	13.5	21.6	60.0	178	13.5	1.6

\*1000pcs/Reel

\*Specifications are subject to change without notice.

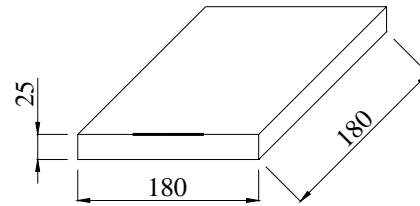
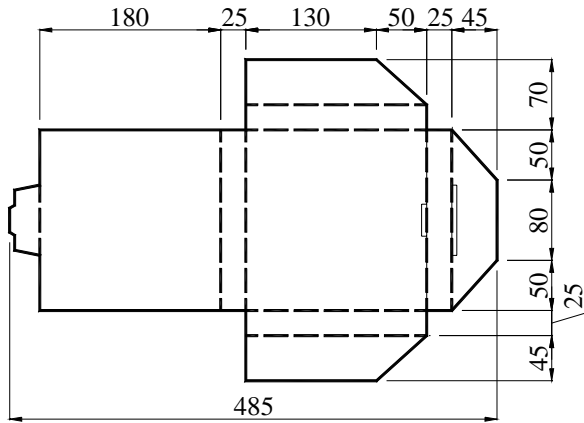


# HOSONIC ELECTRONIC CO., LTD.

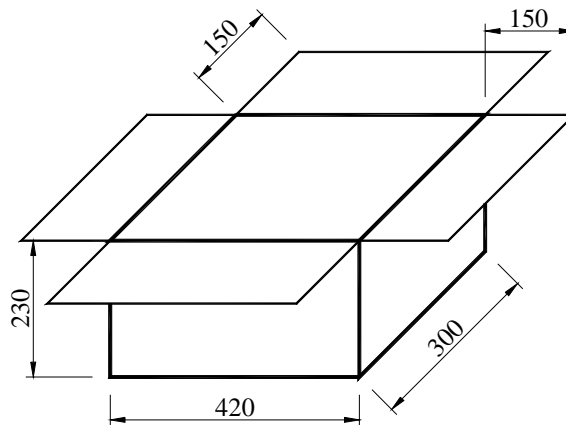
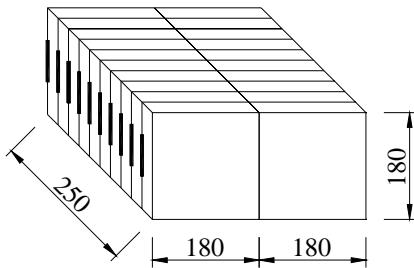
## CRYSTAL UNIT SPECIFICATIONS



Carton Dimension (unit : mm)



1 reel = 1 Inner box



20 Inner boxes = 1 Carton

20kpcs = 1 Carton

\*Specifications are subject to change without notice.