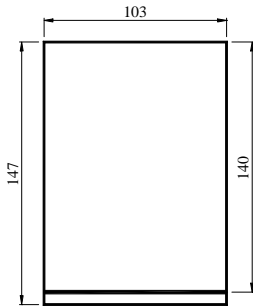


HOSONIC ELECTRONIC CO., LTD.

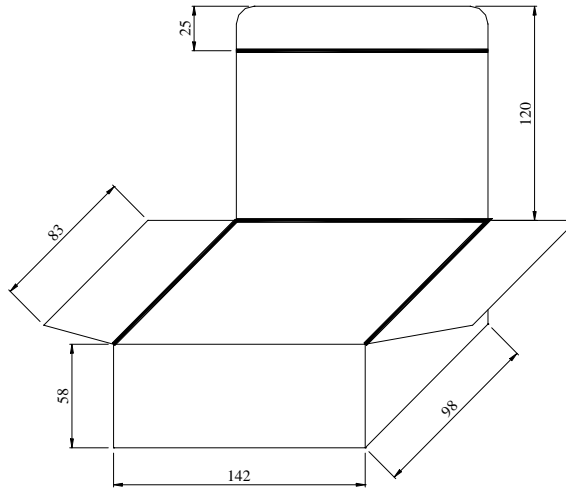
CRYSTAL UNIT SPECIFICATIONS



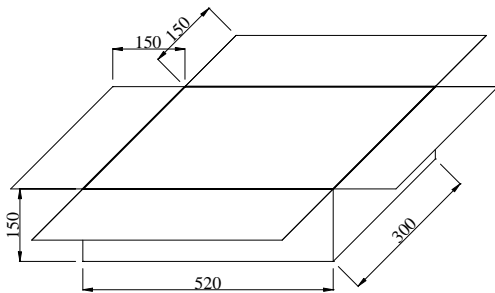
Package (units : mm)



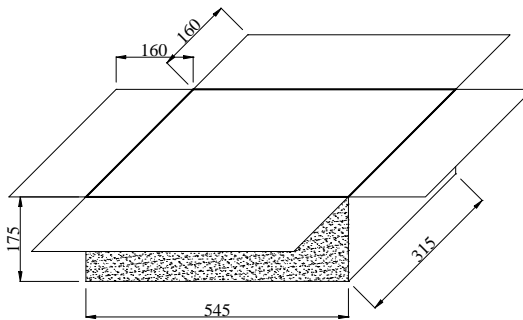
1000 PCS = 1 BAG



4 BAGS = 1 INNER BOX



20 INNER BOX = 1 CARTON



1 CARTON = 1 OUTER BOX

* 80 K PCS = 1 OUTER BOX

*Specifications are subject to change without notice.