

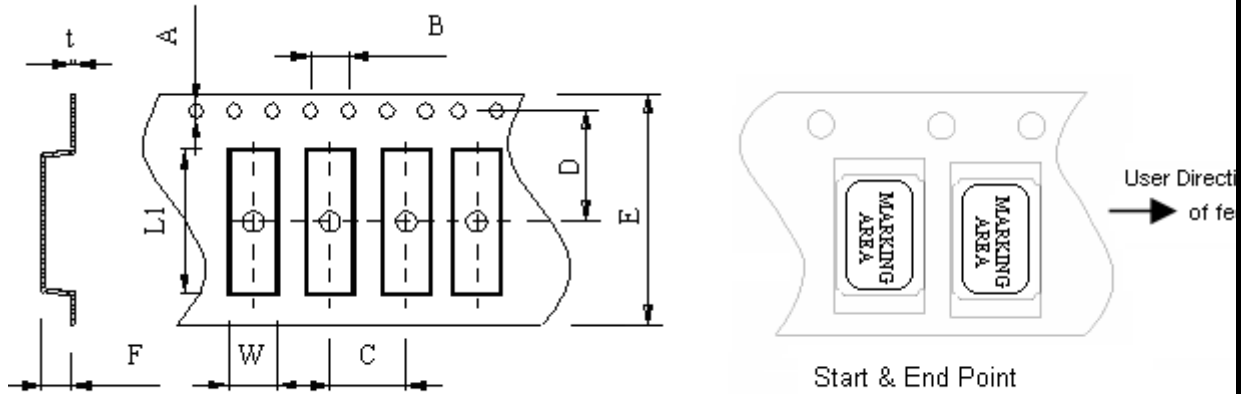
# HOSONIC ELECTRONIC CO., LTD.

## CRYSTAL UNIT SPECIFICATIONS



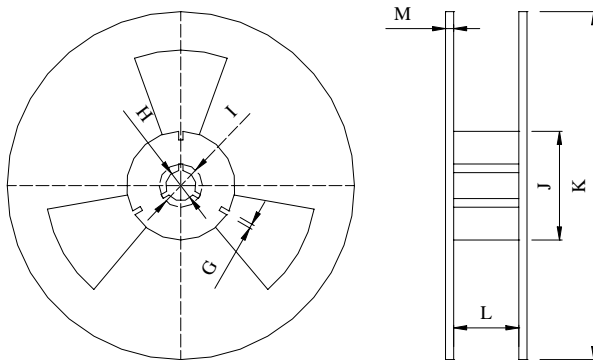
### ● PACKAGE

Tape Dimensions(unit : mm)



A	B	C	D	E	F	L1	W	t
1.50	4.0	4.0	3.5	8.0	1.0	2.75	2.25	0.2

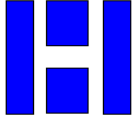
Reel Dimensions(unit: mm)



G	H	I	J	K	L	M
2.5	13.5	21.6	60.0	178	9.5	1.6

\*3000pcs/Reel

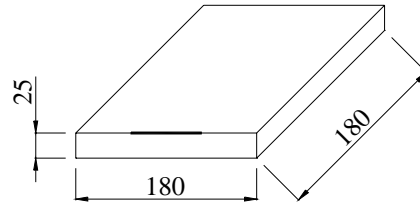
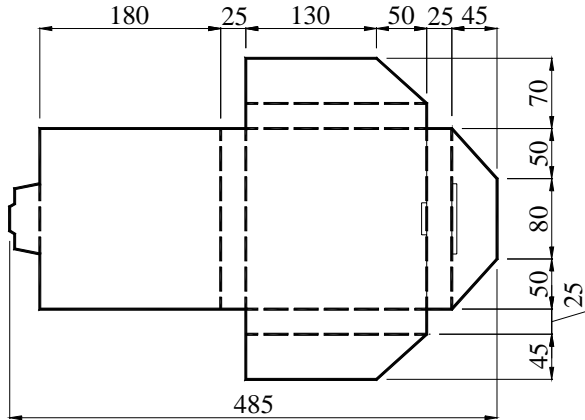
\*Specifications are subject to change without notice.



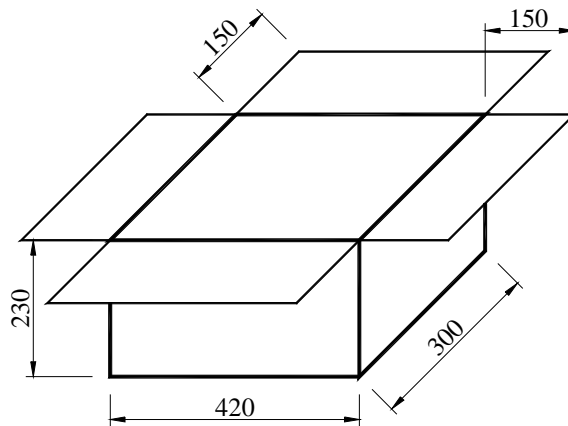
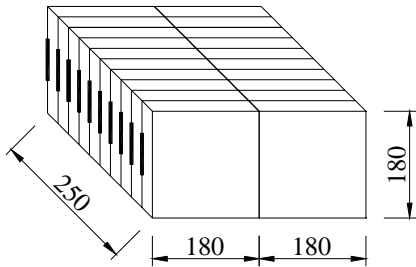
HOSONIC ELECTRONIC CO., LTD.  
CRYSTAL UNIT SPECIFICATIONS



Carton Dimension (unit : mm)



1 reel = 1 Inner box



20 Inner boxes = 1 Carton

60kpcs = 1 Carton

\*Specifications are subject to change without notice.